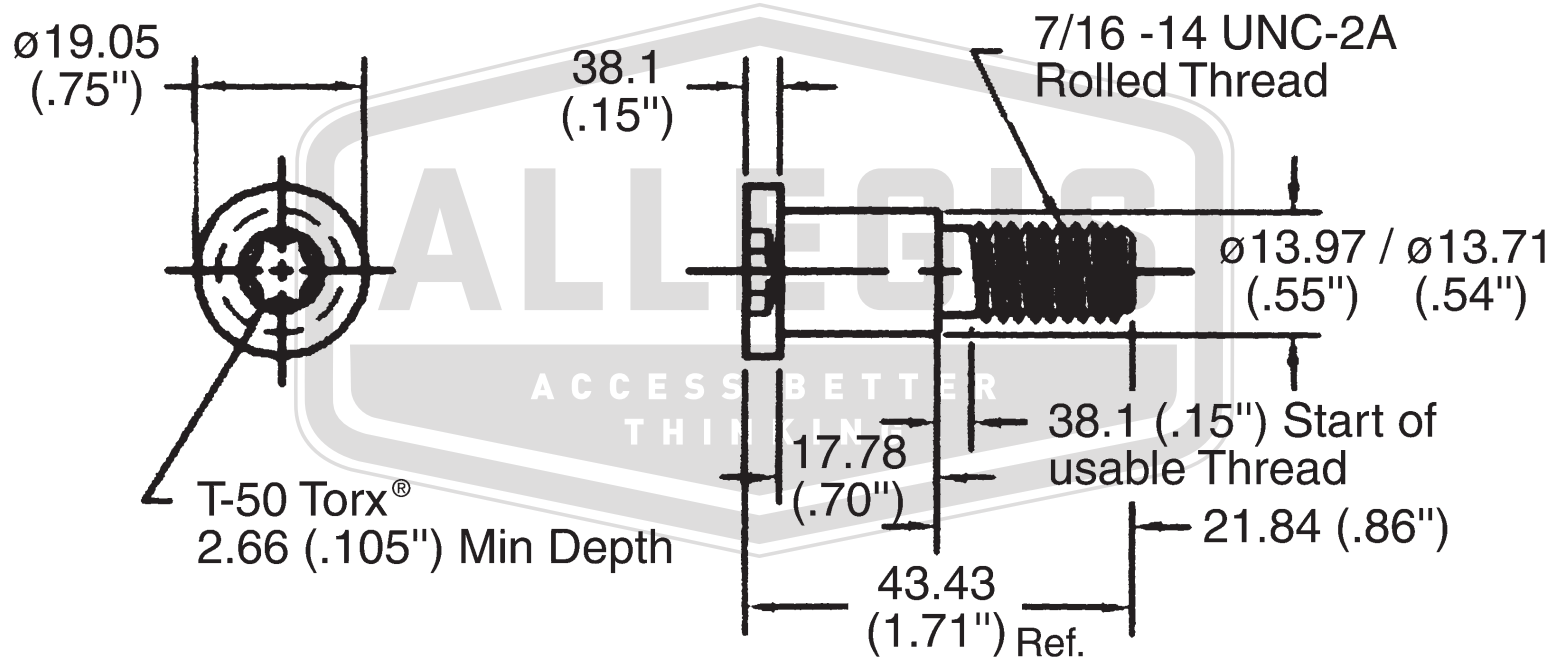


APPROVAL - CUSTOMER NAME & SIGNATURE

DATE



ALLEGIS		1-866-378-7550
MATERIAL:	DRAWING NO. :	2T-400-10
FINISH:		
REV.:	1:1	DATE: 6/11/2019